

## temperature measurement

### resistance thermometer WTR 320

#### features

- standard resistance thermometer without neck tube
- connection head made of stainless steel
- protective fitting on DIN 43 763
- available with tapered measuring point
- protective fitting pressed closed to connection head
- temperature resistance PT100 directly constructed in protective fitting
- electrical connection on board (clamps) or programmable measuring transducer
- specials on request

#### technical specifications

- protective fitting made of stainless steel V4A 1.4571
- diameter 6 x 1 mm, other diameters on request
- process connection thread G 1/2"A
- temperature ranges: -50 °C to +200 °C (extended ranges on request)
- short reaction time

#### product benefits

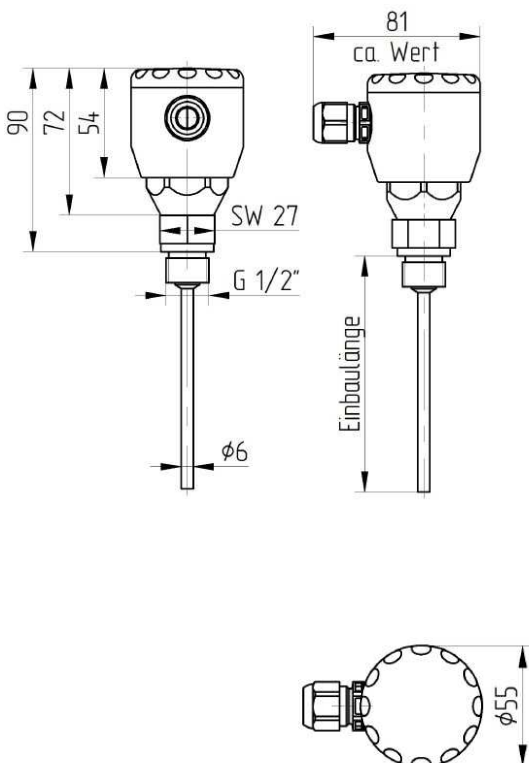
The WTR 320 is a temperature sensor for use in liquid and vapour mediums. With the thread as process connection it can be easily integrated in many industrial applications. High-quality materials give this sensor a very high durability.



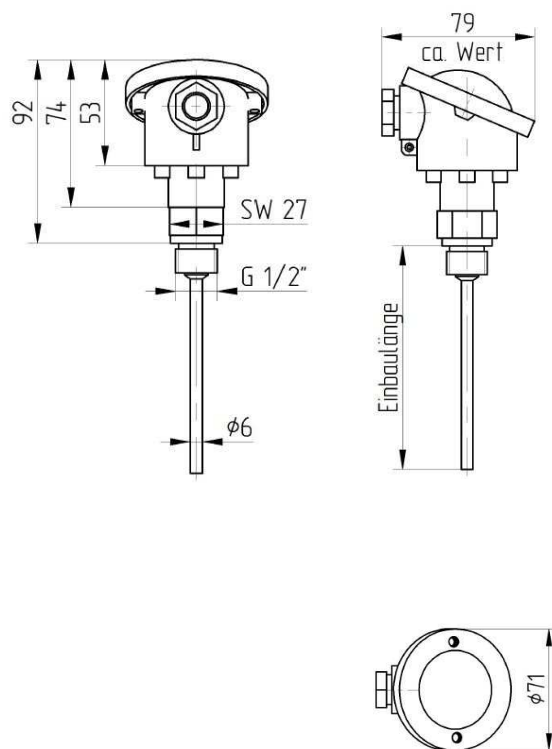
WTR 320-1-B-1A-V0-KMU

#### technical drawing

##### stainless steel head



##### aluminiumhead



## temperature measurement

order-code WTR 320...

order example: WTR 320-5-A-2A-V3-KMU (0-100 °C)

### connection heads

-1	aluminiumhead standard, with screwing, protection class IP65
-5	stainless steel head standard with screw cap, with screwing, protection class IP69K
-6	stainless steel head standard with screw cap, with M12-plug, protection class IP69K
-J	aluminiumhead small, form J, protection class IP65 (not available with measuring transducer)

### mounting length

-A	50 mm mounting length
-B	100 mm mounting length
-C	150 mm mounting length
-D	200 mm mounting length
-E	250 mm mounting length
-F	300 mm mounting length
-G	350 mm mounting length
-H	400 mm mounting length
-K	mounting length on customer`s request (please specify length)

### type of sensor and tolerance

-1A	1xPT100 class A
-2A	2xPT100 class A
-1C	1xPT100 1/3 DIN
-2C	2xPT100 1/3 DIN
-KX	type of sensor and tolerance on customer`s request

### tapered measuring point

-VO	without taper
-V3	tapered to 3 mm
-V4	tapered to 4 mm

### optional

-KMU	with programmable measuring transducer (temperature range on request on preadjustment please specify)
------	---

### accessories

#### welding sleeves

-99-000421	GEM 150, stainless steel weld-in sleeve, G1/2" inner thread, outer diameter 26mm, length sleeve 33mm
------------	--

#### M12-connection wires

-101090	connection cable M12 angled, 4-pole, 5m PVC cable, grey
-101087	connection cable M12 straight, 4-pole, 5m PVC cable, grey

**Other lengths available on request.**

**For more accessories, see accessories data sheet.**