

temperature measurement

resistance thermometer WTR 330

features

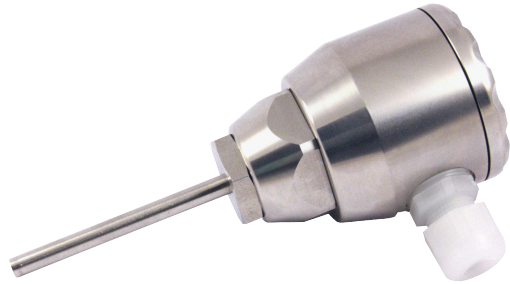
- standard resistance thermometer without neck tube
- connection head made of stainless steel
- flat protective fitting without process connection thread
- protective fitting adaptable with different clamp screw fittings
- protective fitting adaptable with different weld-in screwing
- available with tapered measuring point
- protective fitting pressed closed to connection head
- temperature resistance PT100 directly constructed in protective fitting
- electrical connection on board (clamps) or programmable measuring transducer
- specials on request

technical specifications

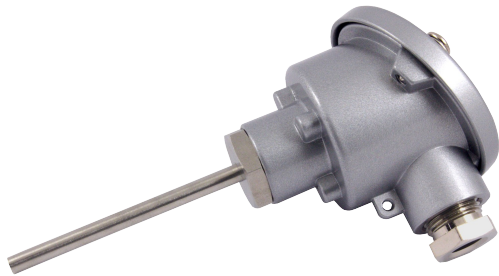
- protective fitting made of stainless steel V4A 1.4571
- diameter 6 x 1 mm, other diameters on request
- with weld-in screwing asepted measuring points are possible
- temperature ranges: -50 °C to +200 °C (extended ranges on request)
- short reaction time

product benefits

The WTR 330 is a temperature sensor with a smooth protection fitting. It is integrated into the process with a compression fitting, making it suitable for use in both liquid and vapour mediums. High-quality materials give this sensor a very long service life.



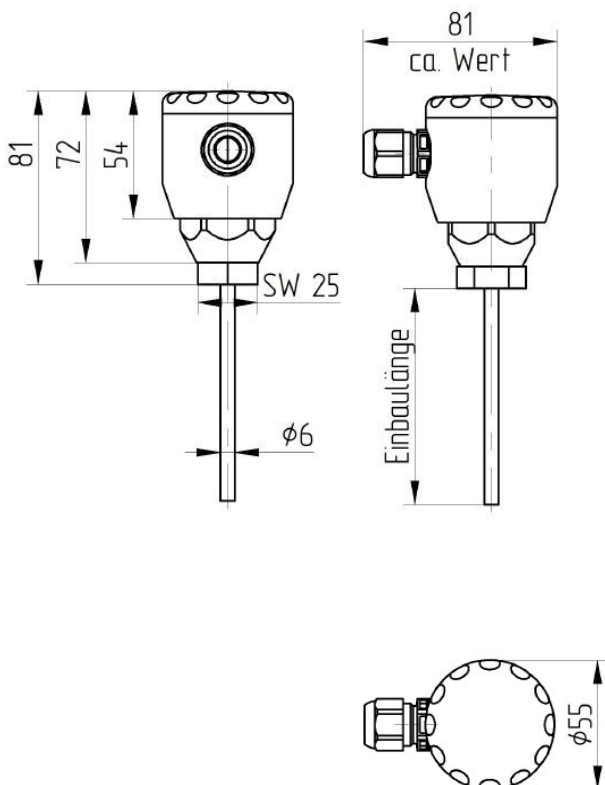
WTR 330-5-B-1A-V0-KMU



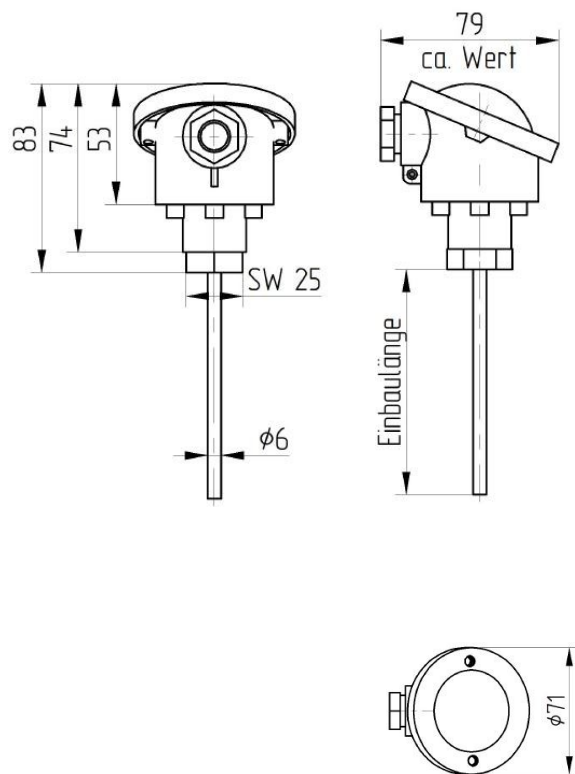
WTR 330-1-B-1A-V0-KMU

technical drawing

stainless steel head



aluminiumhead



temperature measurement

order-code WTR 330...

order example: WTR 330-5-A-2A-V3-KMU (0-100 °C)

connection heads

-1	aluminiumhead standard, with screwing, protection class IP65
-5	stainless steel head standard with screw cap, with screwing, protection class IP69K
-6	stainless steel head standard with screw cap, with M12-plug, protection class IP69K
-J	aluminiumhead small, form J, protection class IP65 (not available with measuring transducer)

mounting length

-A	50 mm mounting length
-B	100 mm mounting length
-C	150 mm mounting length
-D	200 mm mounting length
-E	250 mm mounting length
-F	300 mm mounting length
-G	350 mm mounting length
-H	400 mm mounting length
-K	mounting length on customer`s request (please specify length)

type of sensor and tolerance

-1A	1xPT100 class A
-2A	2xPT100 class A
-1C	1xPT100 1/3 DIN
-2C	2xPT100 1/3 DIN
-KX	type of sensor and tolerance on customer`s request

tapered measuring point

-VO	without taper
-V3	tapered to 3 mm
-V4	tapered to 4 mm

optional

-KMU	with programmable measuring transducer (temperature range on request on preadjustment please specify)
------	---

accessories

clamp screw fittings

-99-000197	KVS6E-1/2" clamp screw fitting
-99-000199	KVS6T-1/2" clamp screw fitting with screw-in thread, for 6mm sensor, clamping ring made of Teflon, material 1.4571
-99-000512	KVS6E-1/4" clamp screw fitting
-99-000198	KVS6T-1/4" clamp screw fitting
-99-000196	KKVS6P bullet clamp bolting, for 6mm tube, PEEK sealing ring, material 1.4404

immersion pockets

-99-000456	THVA, 100mm in G1/2", dimension 9x1, diameter immersion pocket 9mm, inner diameter 7mm, material VA, with M4 screw in the hexagon
-99-001938	THVA-KVS 100mm, in G1/2", sleeve dimension 9x1mm, inner diameter 7mm, with clamp screw fitting for 6mm probe, with PTFE clamping ring
-99-002871	ESTHK, 50mm, welding immersion pocket, diameter pocket 9x1mm, with clamp screw fitting PEEK, material 1.4404

M12-connection wires

-101090	connection cable M12 angled, 4-pole, 5m PVC cable, grey
-101087	connection cable M12 straight, 4-pole, 5m PVC cable, grey